

All materials
 stainless steel 304
 yellow coated RAL 1023

3	2	Rubber Stop
2	2	Mounting Bracket
1	1	Safety Gate
ITEM	QTY	DESCRIPTION

PARTS LIST

Narrow Walkway Safety Gate

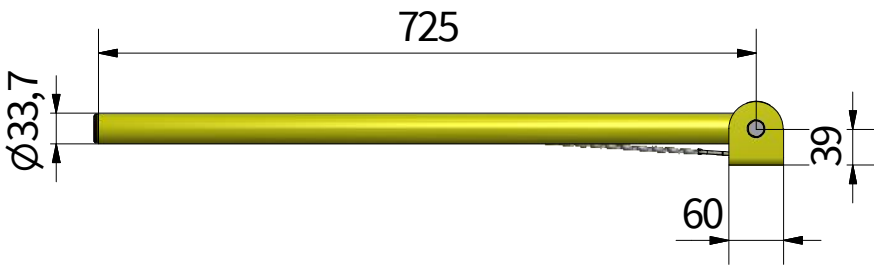
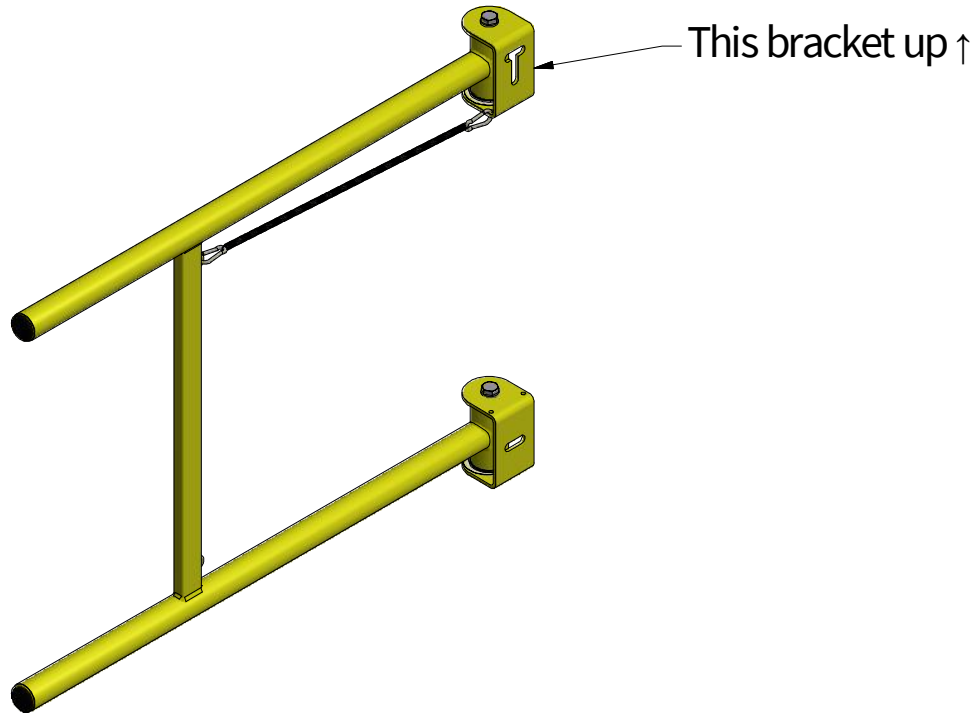


Intrepid Safety Products B.V.
 Wolfstraat 5
 4561 PL Hulst
 The Netherlands

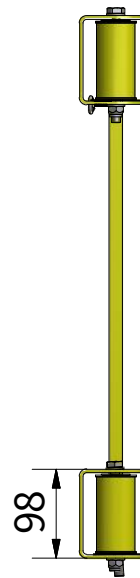
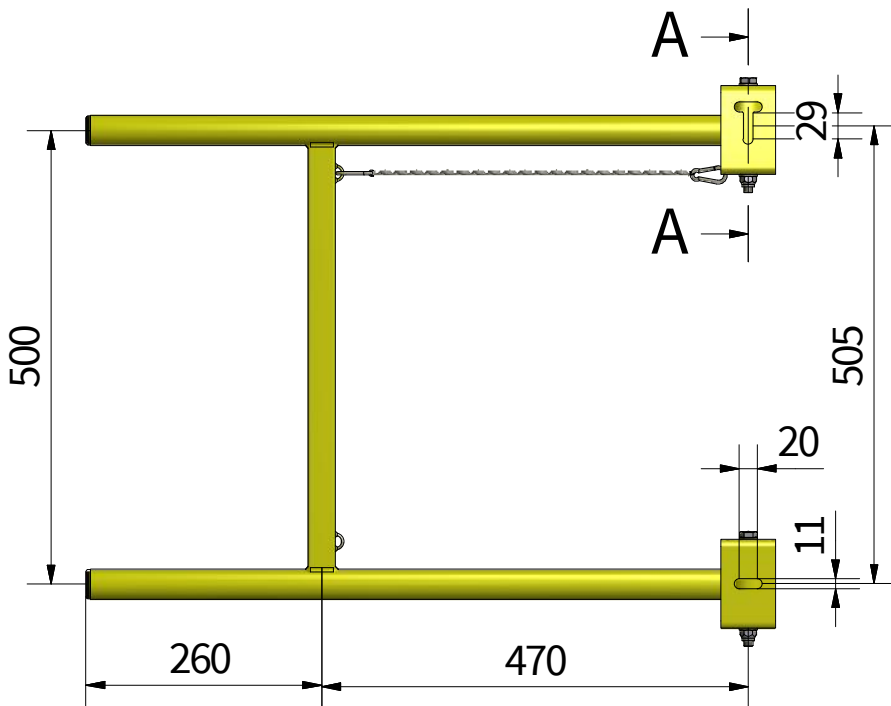
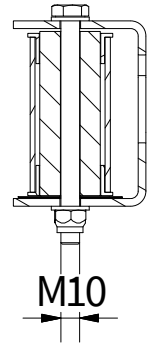
www.isp-products.com

Edition
 A

Sheet
 1 / 4



A-A



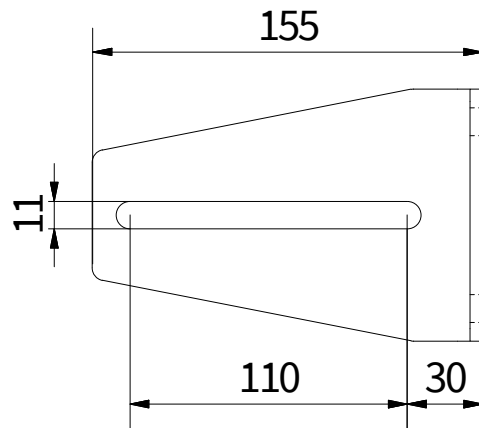
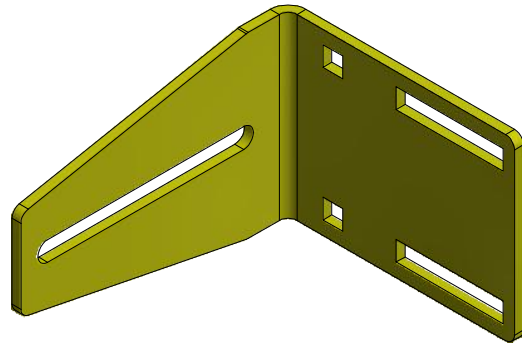
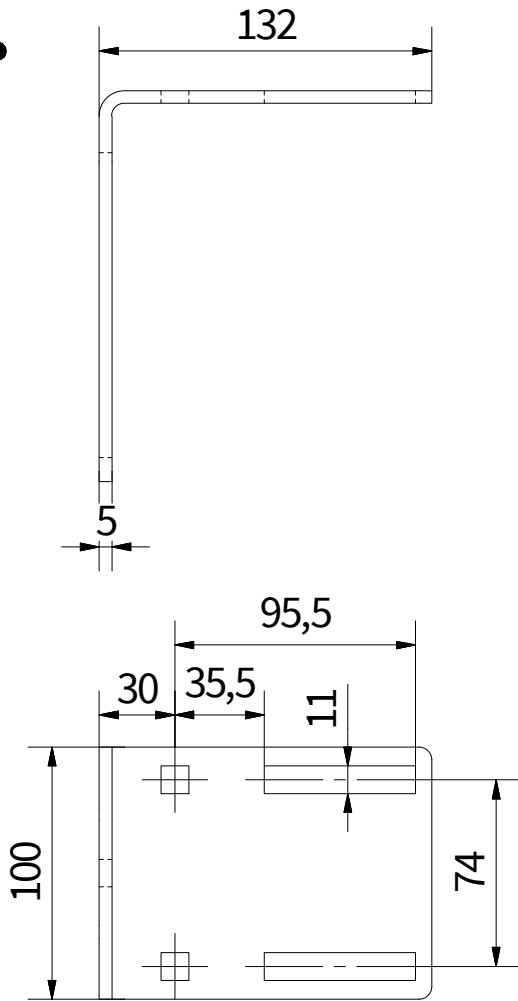
tolerance ± 0.5 mm
unless otherwise specified

1	1	Safety Gate
ITEM	QTY	DESCRIPTION
PARTS LIST		
Narrow Walkway Safety Gate		
www.isp-products.com	Edition A	Sheet 2/4

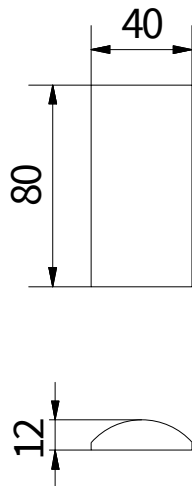


Intrepid Safety Products B.V.
Wolfstraat 5
4561 PL Hulst
The Netherlands

2



3



3	2	Rubber Stop
2	2	Mounting Bracket
ITEM	QTY	DESCRIPTION

PARTS LIST

Narrow Walkway Safety Gate



Intrepid Safety Products B.V.
Wolfstraat 5
4561 PL Hulst
The Netherlands

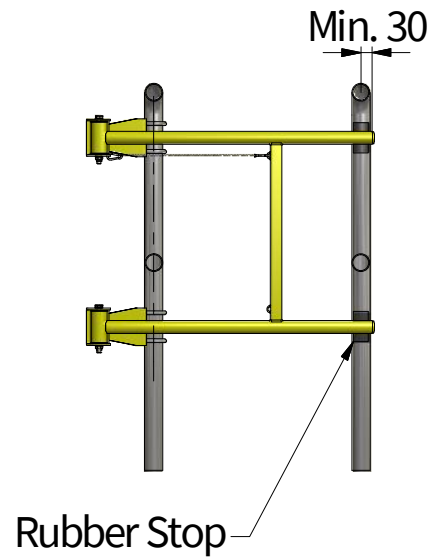
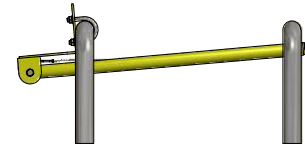
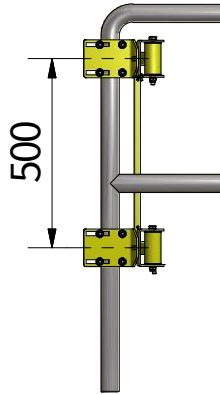
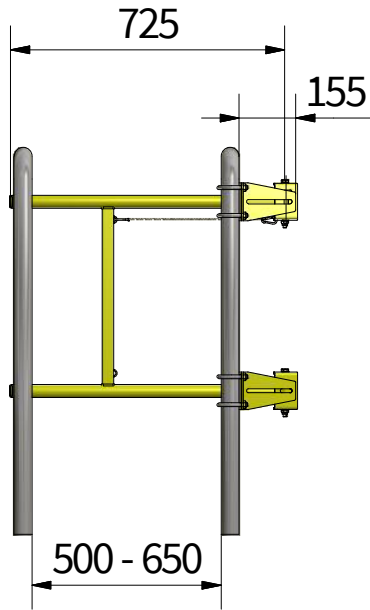
www.isp-products.com

Edition
A

Sheet
3/4

Bracket installation

Railing 500 - 650mm



Railing 650 - 800mm

